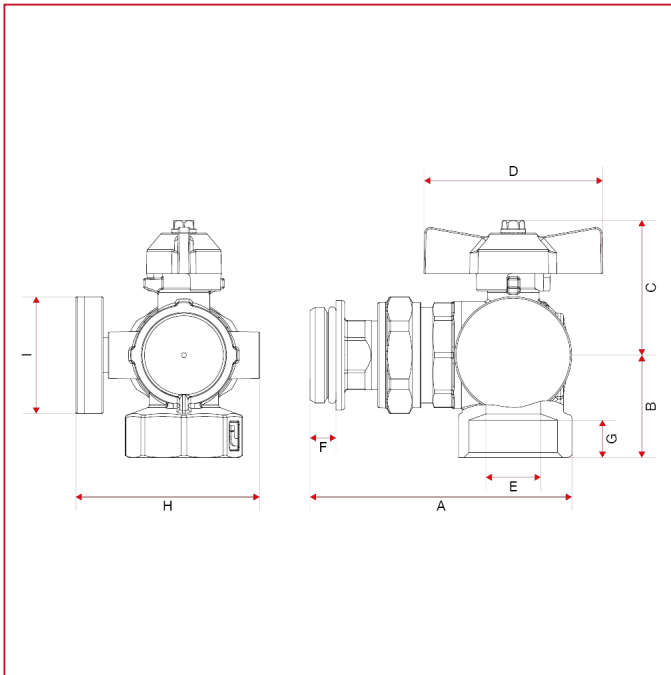




ACCESSORIES FOR MANIFOLDS

487K02R Angle ball valves kit and thermometer – Compact

OVERALL DIMENSIONS



	1"
DN	25
A	91
B	35,5
C	47
D	62
E	19
F	9
G	13
H	64
I	40,5
Kg/cm ² bar	40
LBS - psi	580