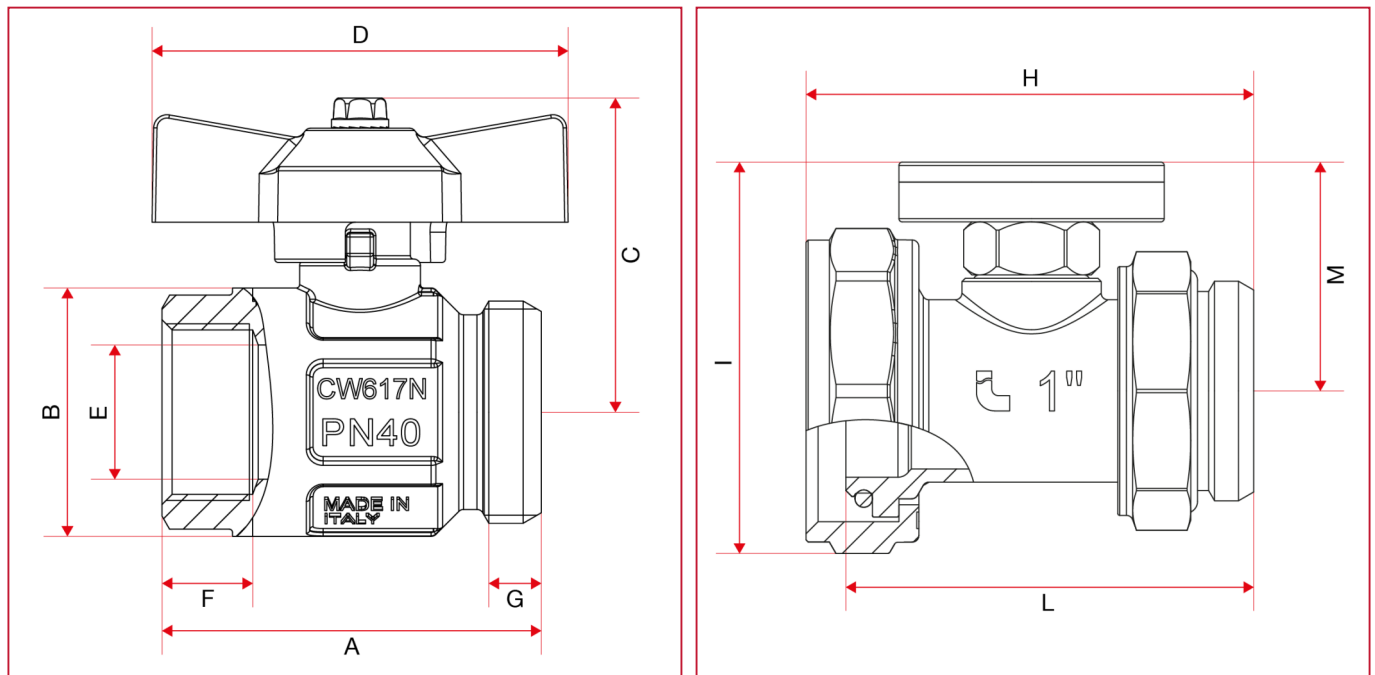




BALL VALVES KIT

487K01 Straight ball valves and thermometer union kit

OVERALL DIMENSIONS



	1"
DN	25
A	64,75
B	45,5
C	50,8
D	62
E	25
F	15
G	10,5
H	67,5
I	49
L	61,5
M	34,5
Kg/cm ² bar	40
LBS - psi	580