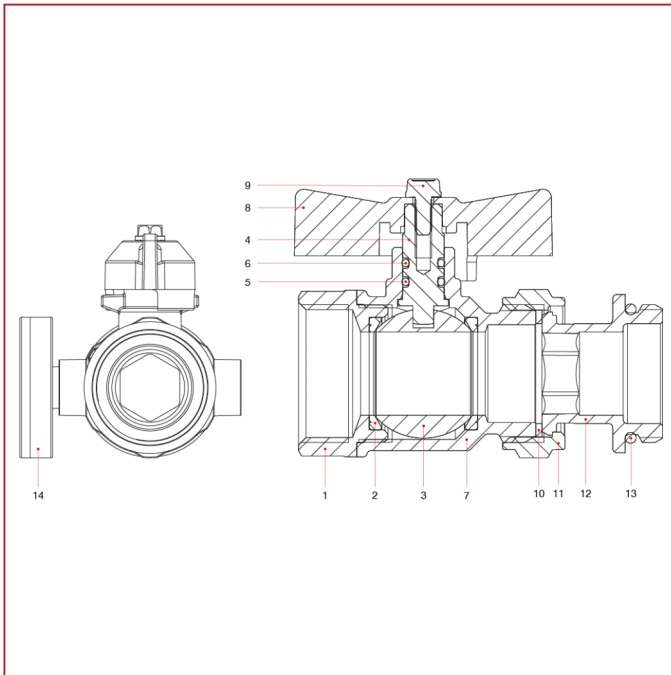




ACCESSORIES FOR MANIFOLDS

487K01R Straight ball valves kit and thermometer – Compact

MATERIALS



POS.	DESCRIPTION	N.	MATERIAL
1	End adapter	1	Nickel-plated brass CW617N
2	Seat	2	P.T.F.E.
3	Ball	1	Chrome-plated brass CW617N
4	Stem	1	Brass CW614N
5	O-ring	1	NBR
6	O-ring	1	Viton®
7	Body	1	Nickel-plated brass CW617N
8	T handle	1	Aluminium
9	Screw	1	Zinc-plated steel C4C
10	Washer	1	FASIT OMNIA
11	Nut	1	Nickel-plated brass CW617N
12	Union	1	Nickel-plated brass CW617N
13	O-ring	1	EPDM
14	Thermometer	1	Polymer