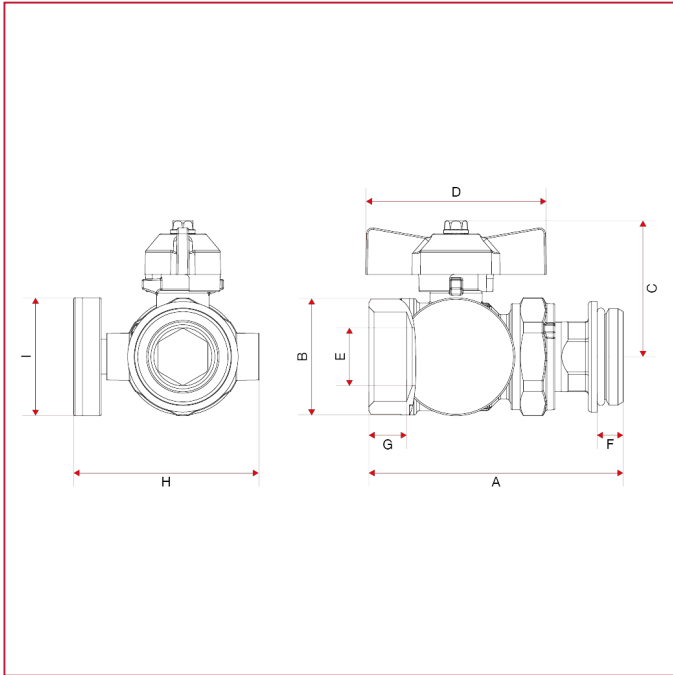




## ACCESSORIES FOR MANIFOLDS

### **487K01R** Straight ball valves kit and thermometer – Compact

#### OVERALL DIMENSIONS



|                        | 1"   |
|------------------------|------|
| DN                     | 25   |
| A                      | 87,5 |
| B                      | 40   |
| C                      | 47   |
| D                      | 62   |
| E                      | 20   |
| F                      | 9    |
| G                      | 13   |
| H                      | 64   |
| I                      | 40,5 |
| Kg/cm <sup>2</sup> bar | 40   |
| LBS - psi              | 580  |