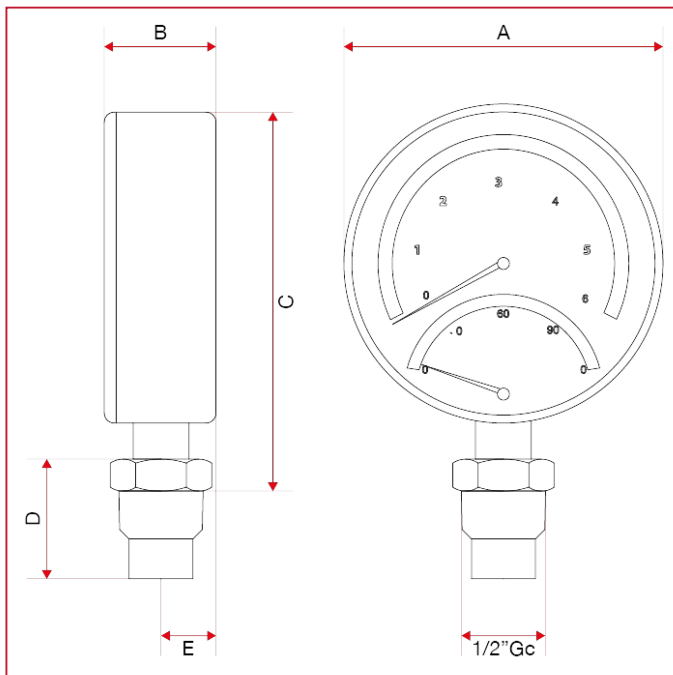




ACCESSORIES FOR MANIFOLDS

484 Thermometer and pressure gauge, bottom connection

OVERALL DIMENSIONS



	1/2"
A	80
B	28,3
C	93,6
D	30
E	14,25
Kg/cm ² bar	6
LBS - psi	87