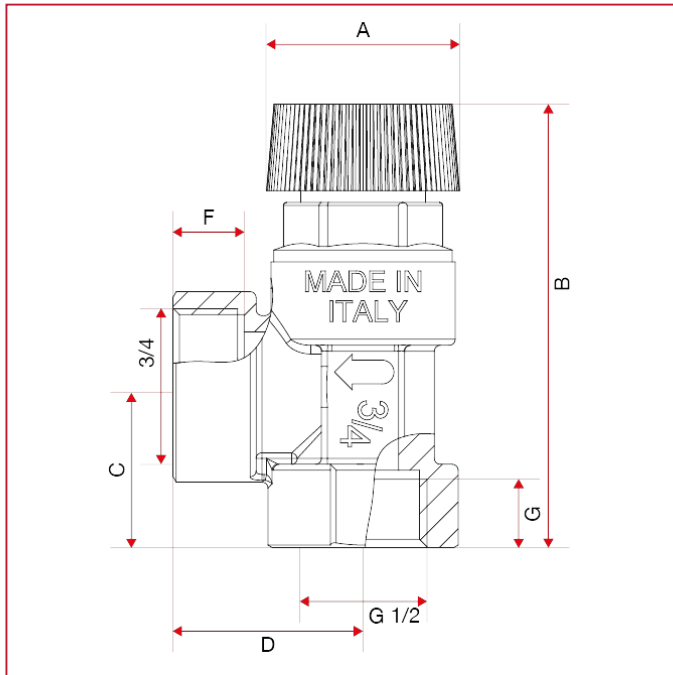




ACCESSORIES FOR SOLAR HEATING SYSTEMS

478 Diaphragm safety relief valve - f/f threads - for solar heating systems

OVERALL DIMENSIONS



1/2"x3/4"	
DN	20
A	31,5
B	75
C	26
D	32
F	12
G	13
Kg/cm ² bar	10
LBS - psi	145