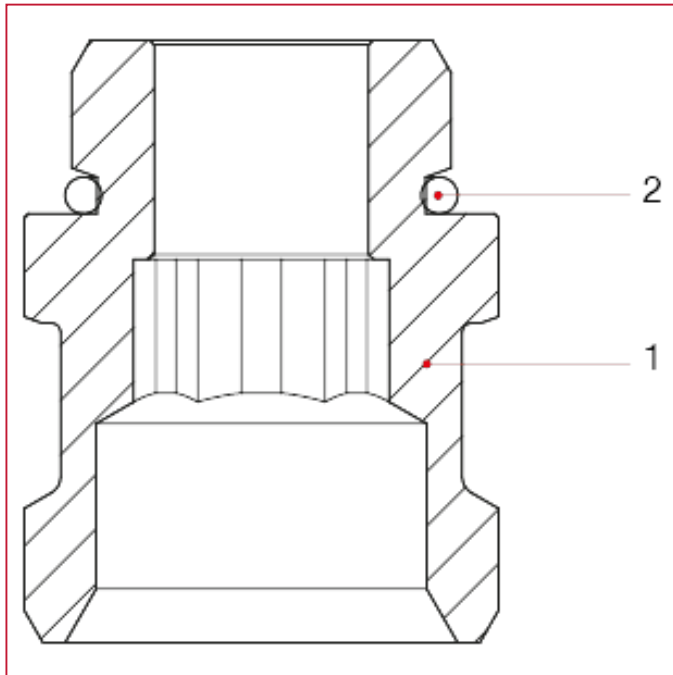




ACCESSORIES FOR MANIFOLDS

471N Adapter for flow meters - 1" manifolds

MATERIALS



POS.	DESCRIPTION	N.	MATERIAL
1	Fitting	1	Nickel-plated brass CW614N
2	O-ring	1	EPDM