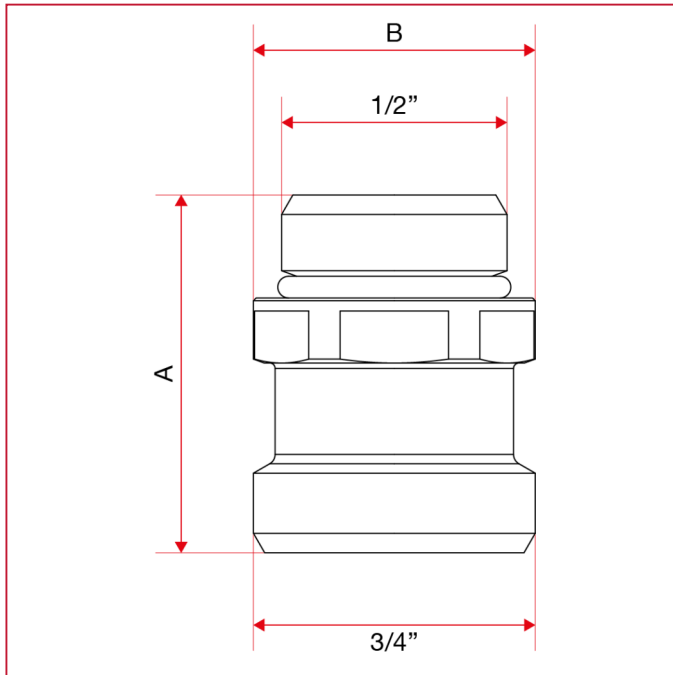




ACCESSORIES FOR MANIFOLDS

471N Adapter for flow meters - 1" manifolds

OVERALL DIMENSIONS



1/2" - 3/4" EUR OKONUS	
A	33
B	26
Kg/cm ² bar	20
LBS - psi	290