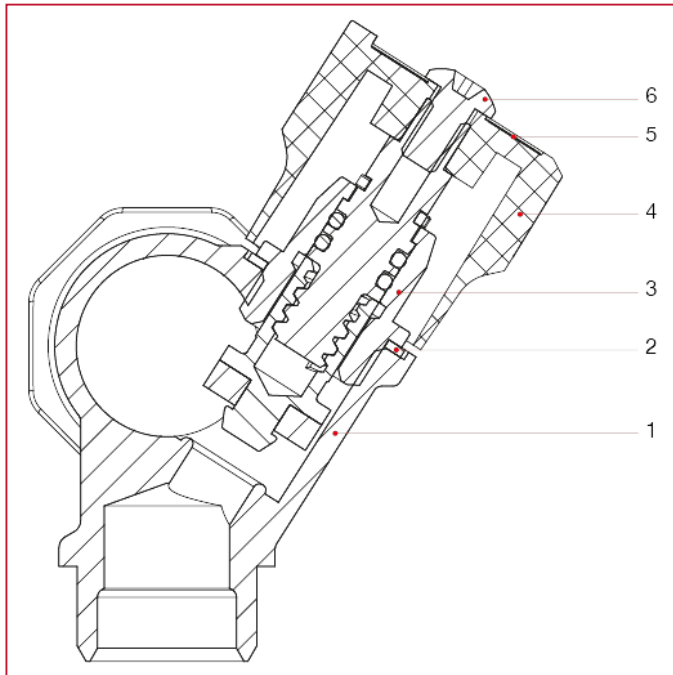




DISTRIBUTION MANIFOLDS

465 Modular distribution manifold with shut-off valves, 1/2" male outlets, conical seat

MATERIALS



POS.	DESCRIPTION	N.	MATERIAL
1	Body	1	Nickel-plated brass CW617N
2	Washer	2-4	Aluminium
3	Bonnet	2-4	Brass CW614N
4	Handle	2-4	ABS
5	Marker disk	2-4	Adhesive paper
6	Screw	2-4	Zinc-plated steel Fe