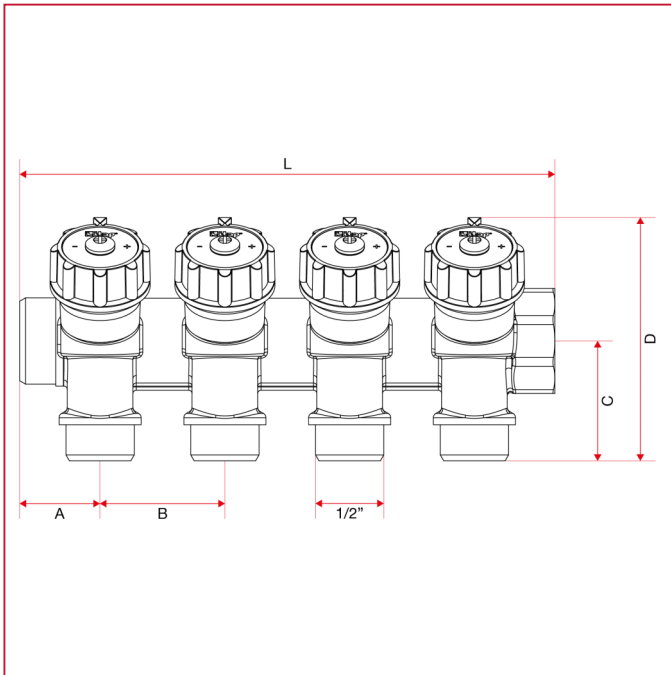




DISTRIBUTION MANIFOLDS

465 Modular distribution manifold with shut-off valves, 1/2" male outlets, conical seat

OVERALL DIMENSIONS



	3/4" x 2	3/4" x 3	3/4" x 4	1" x 2	1" x 3	1" x 4
A	24,5	24,5	24,5	24,5	24,5	24,5
B	38	38	38	38	38	38
C	36,5	36,5	36,5	36,5	36,5	36,5
D	74	74	74	81,5	81,5	81,5
Kg/cm ² bar	10	10	10	10	10	10
LBS - psi	145	145	145	145	145	145