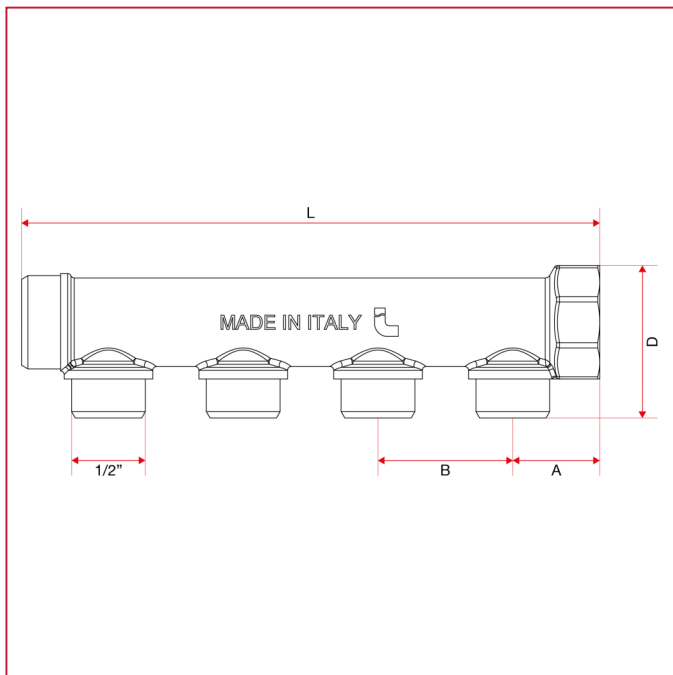




## DISTRIBUTION MANIFOLDS

### 456 Modular distribution manifold, 1/2" male outlets, flat seat

#### OVERALL DIMENSIONS



	3/4" x 2	3/4" x 3	3/4" x 4
A	24,5	24,5	24,5
B	38	38	38
D	43	43	43
Kg/cm <sup>2</sup> bar	10	10	10
LBS - psi	145	145	145