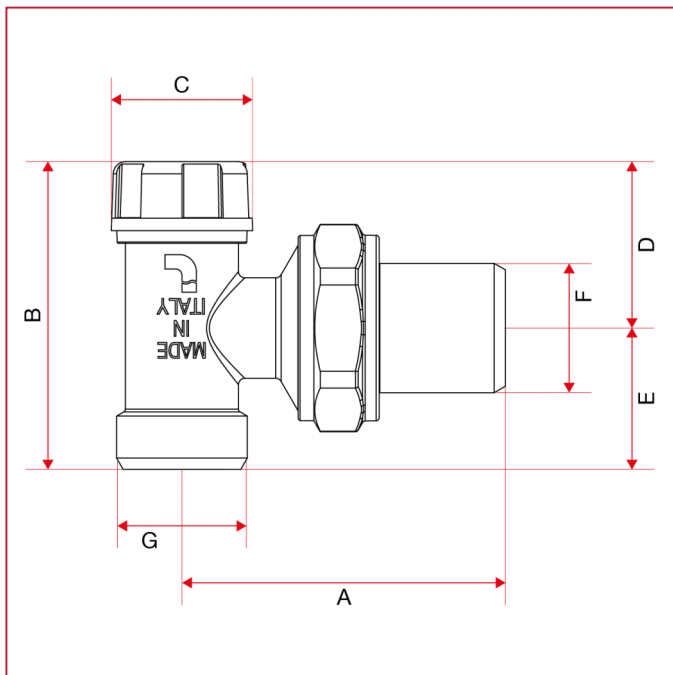




手动阀和锁闭阀

397 角型锁闭阀

总尺寸



| | 3/8" | 1/2" |
|------------------------|------|------|
| DN | 10 | 15 |
| A | 49 | 51,5 |
| B | 49 | 49 |
| C | 22,5 | 22,5 |
| D | 26,5 | 26,5 |
| E | 22,5 | 22,5 |
| F | 3/8" | 1/2" |
| G | 1/2" | 1/2" |
| Kg/cm ² bar | 10 | 10 |
| LBS - psi | 145 | 145 |