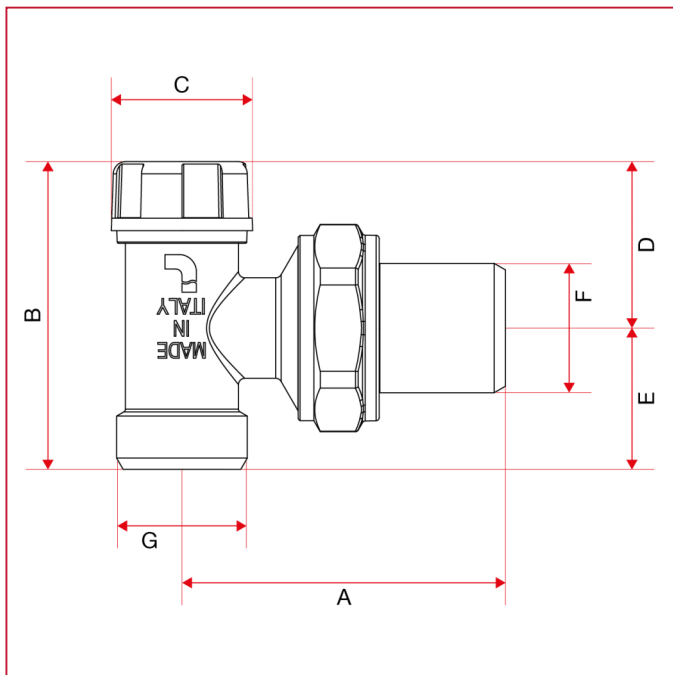




MANUAL VALVES AND LOCKSHIELDS

397 Angle lockshield

OVERALL DIMENSIONS



	3/8"	1/2"
DN	10	15
A	49	51,5
B	49	49
C	22,5	22,5
D	26,5	26,5
E	22,5	22,5
F	3/8"	1/2"
G	1/2"	1/2"
Kg/cm ² bar	10	10
LBS - psi	145	145