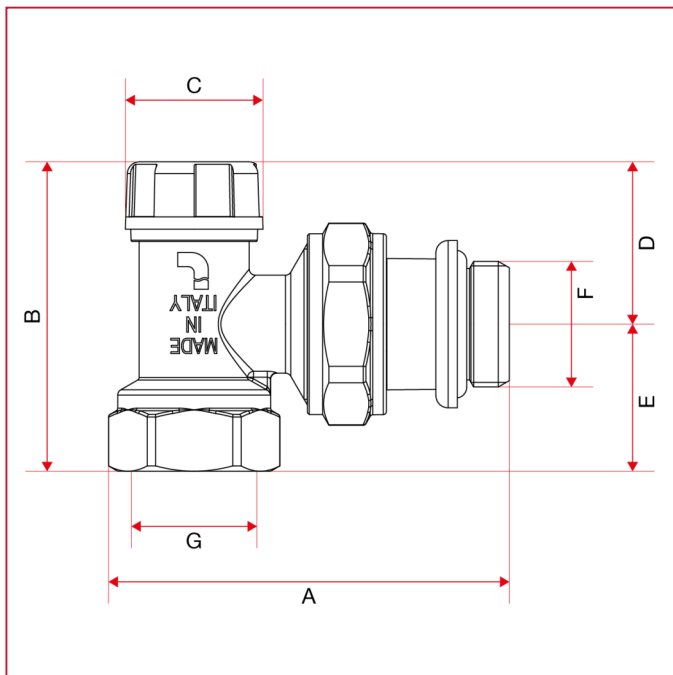




MANUAL VALVES AND LOCKSHIELDS

396S Angle lockshield

OVERALL DIMENSIONS



	3/8"	1/2"	3/4"
DN	10	15	20
A	50	51,5	58
B	48	50,5	53,7
C	22,5	22,5	25
D	26,5	26,5	30,3
E	21,5	24	23,4
F	3/8"	1/2"	3/4"
G	3/8"	1/2"	3/4"
Kg/cm ² bar	10	10	10
LBS - psi	145	145	145