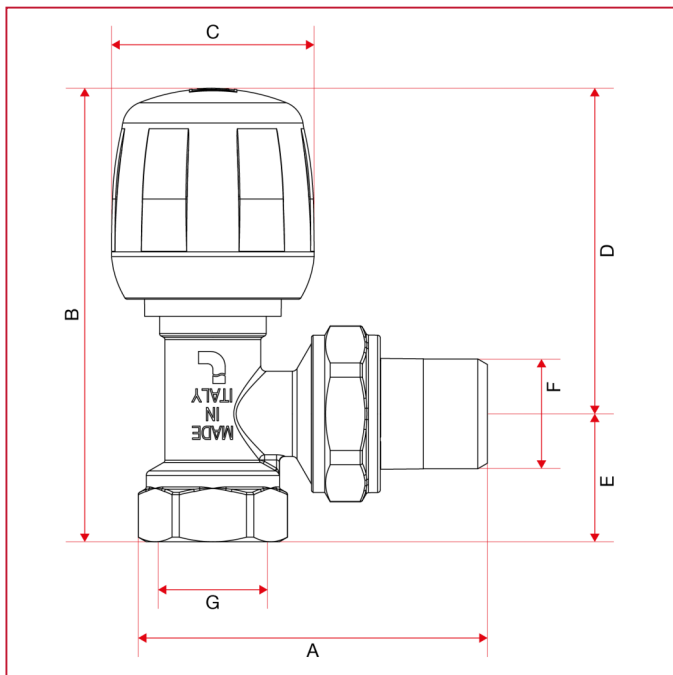




# MANUAL VALVES AND LOCKSHIELDS

## 394 Angle manual valve

### OVERALL DIMENSIONS



|                        | 3/8" | 1/2" | 3/4" |
|------------------------|------|------|------|
| DN                     | 10   | 15   | 20   |
| A                      | 49   | 51,5 | 58   |
| B                      | 82,6 | 85,1 | 86,8 |
| C                      | 38   | 38   | 38   |
| D                      | 61,1 | 61,1 | 63,4 |
| E                      | 21,5 | 24   | 23,4 |
| F                      | 3/8" | 1/2" | 3/4" |
| G                      | 3/8" | 1/2" | 3/4" |
| Kg/cm <sup>2</sup> bar | 10   | 10   | 10   |
| LBS - psi              | 145  | 145  | 145  |