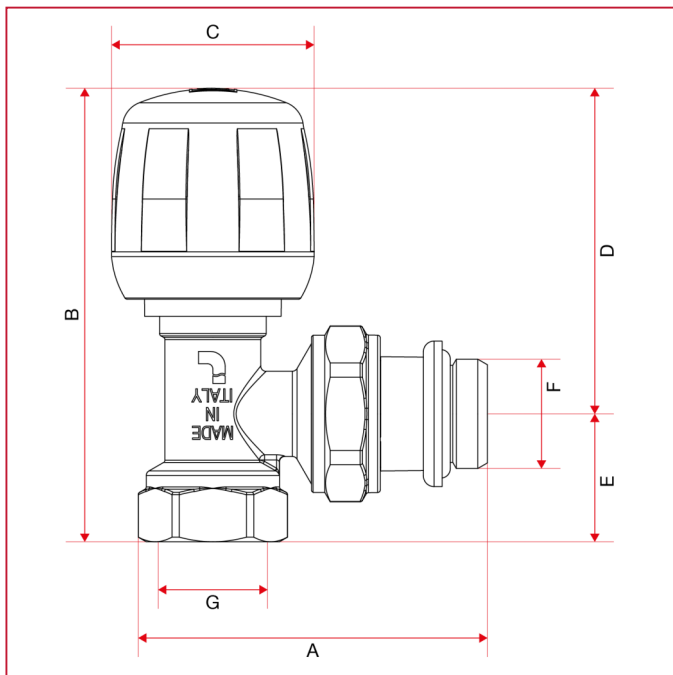




MANUAL VALVES AND LOCKSHIELDS

394S Angle manual valve

OVERALL DIMENSIONS



| | 3/8" | 1/2" | 3/4" |
|------------------------|------|------|------|
| DN | 10 | 15 | 20 |
| A | 49 | 51,5 | 58 |
| B | 82,6 | 85,1 | 86,8 |
| C | 38 | 38 | 38 |
| D | 61,1 | 61,1 | 63,4 |
| E | 21,5 | 24 | 23,4 |
| F | 3/8" | 1/2" | 3/4" |
| G | 3/8" | 1/2" | 3/4" |
| Kg/cm ² bar | 10 | 10 | 10 |
| LBS - psi | 145 | 145 | 145 |