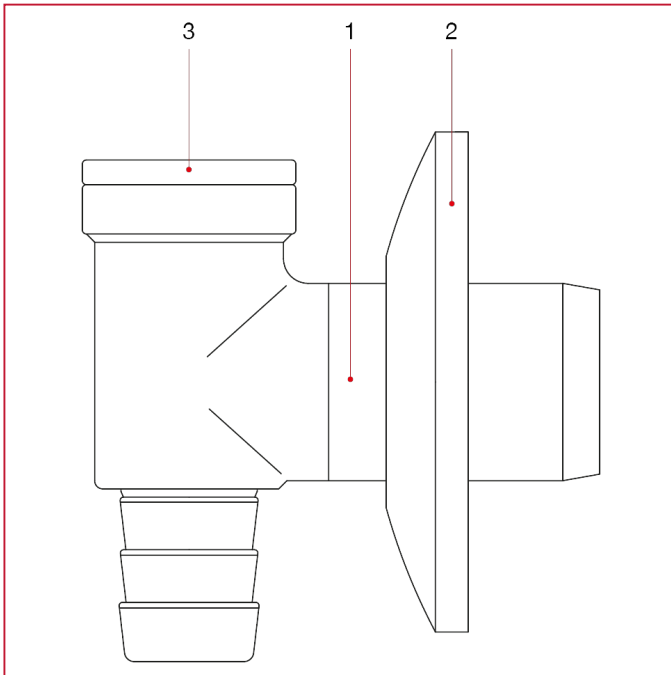




# WASHING MACHINE VALVES

## 390 Drain trap for washing machines

### MATERIALS



POS.	DESCRIPTION	N.	MATERIAL
1	Body	1	Chrome-plated brass CW617N
2	Cover-plate	1	Stainless steel
3	Cap	1	Chrome-plated brass CW614N
-	4 hole cap	1	POM
-	Spring	1	Stainless steel
-	O-ring	1	NBR