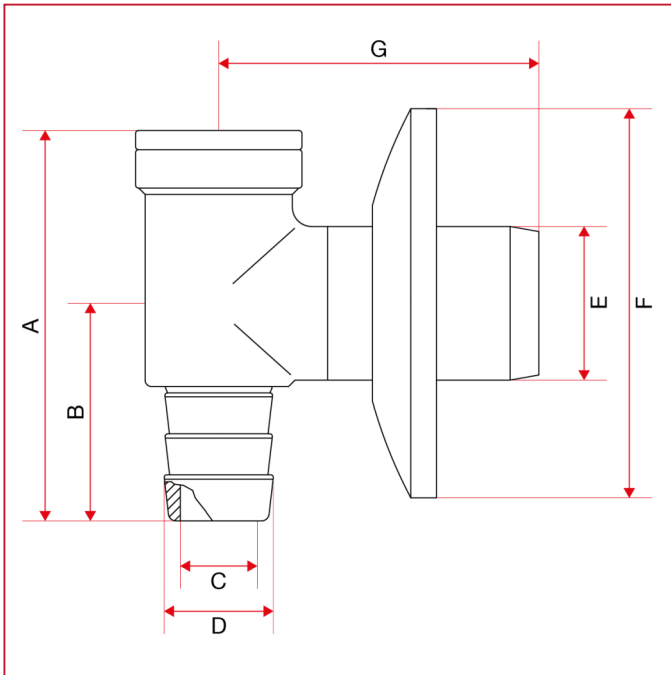




# WASHING MACHINE VALVES

## 390 Drain trap for washing machines

### OVERALL DIMENSIONS



	3/4"
A	89
B	46
C	17,5
D	22
E	32
F	80
G	68
Kg/cm <sup>2</sup> bar	16
LBS - psi	232