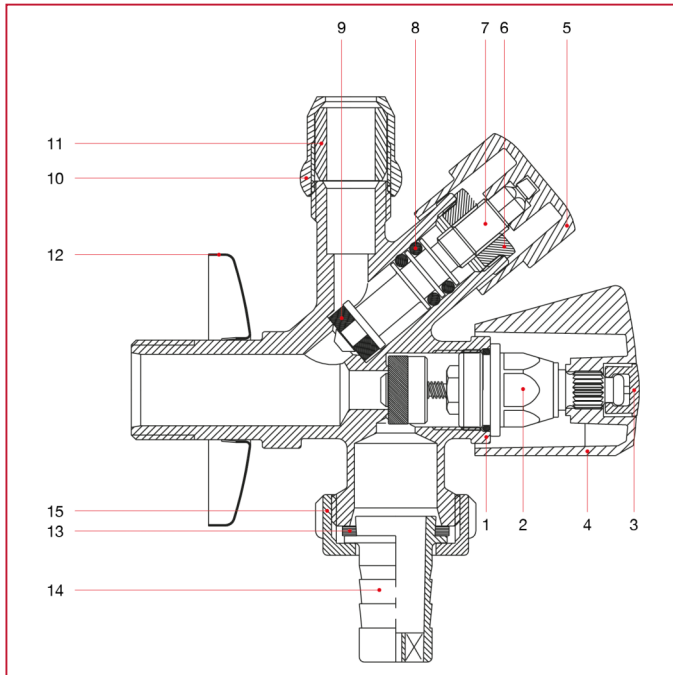




# BUILD-IN VALVES AND SUPPLY STOPS

## 387 Supply stop and washing machine valve

### MATERIALS



POS.	DESCRIPTION	N.	MATERIAL
1	Body	1	Chrome-plated brass CW617N
2	Bonnet	1	Brass CW614N
3	Cap	1	POM
4	Handle	1	Chrome-plated ABS
5	Handle	1	Chrome-plated ABS
6	Nut	1	Brass CW614N
7	Stem	1	Brass CW614N
8	O-ring	2	NBR
9	Washer	1	NBR
10	Nut	1	Chrome-plated brass CW614N
11	Olive	1	Nylon
12	Cover-plate	1	Stainless steel
13	Washer	1	NBR
14	Hose connection	1	Nylon
15	Nut	1	Nylon