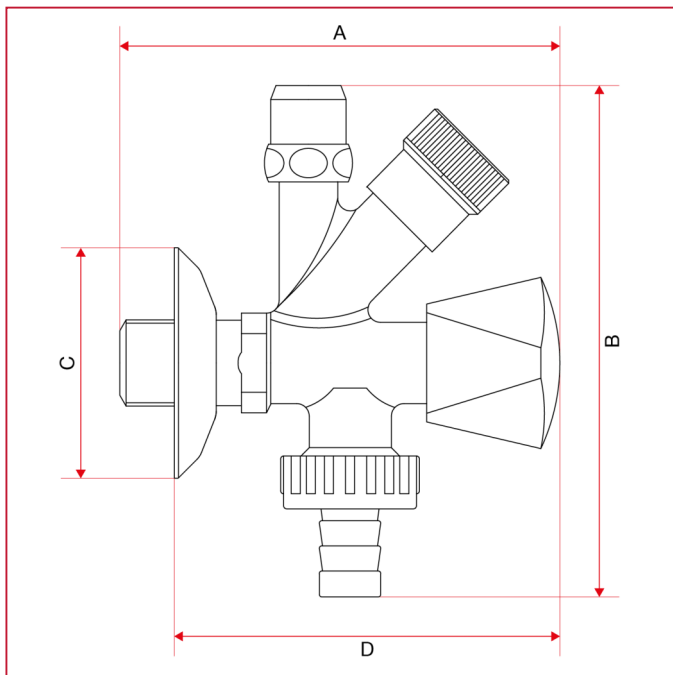




BUILD-IN VALVES AND SUPPLY STOPS

387 Supply stop and washing machine valve

OVERALL DIMENSIONS



	1/2"
A	105
B	116
C	56
D	87
Kg/cm ² bar	8
LBS - psi	116