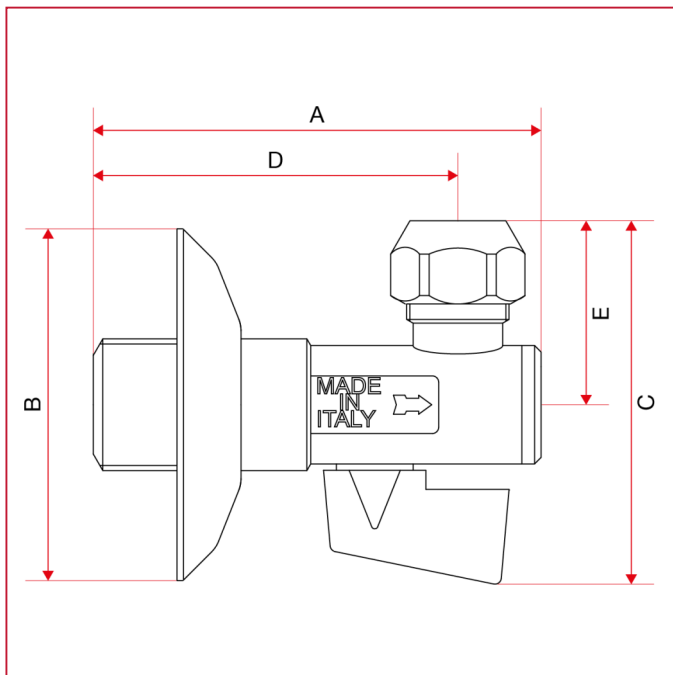




BUILD-IN VALVES AND SUPPLY STOPS

385 Ball supply stop with strainer

OVERALL DIMENSIONS



	1/2"
A	70
B	55
C	60,5
D	57
E	32,8
Kg/cm2 bar	8
LBS - psi	116