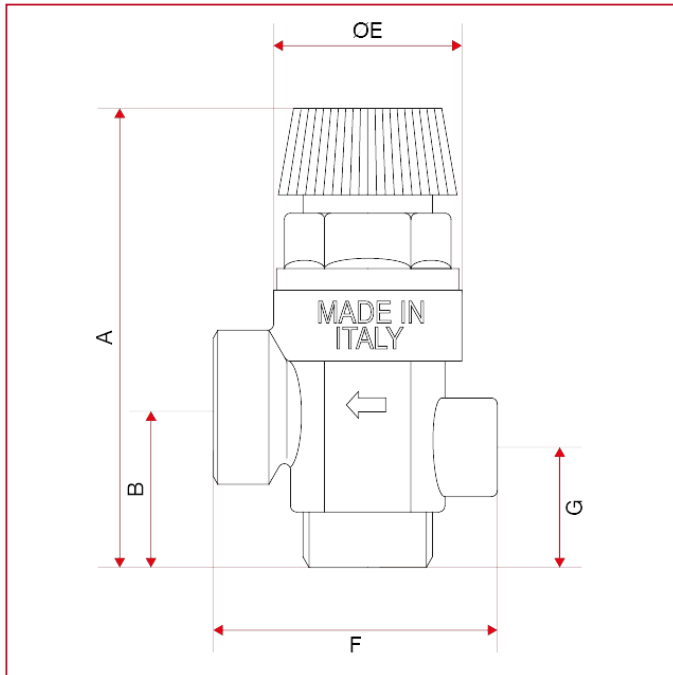




DIAPHRAGM SAFETY RELIEF VALVES

369M Diaphragm safety relief valve with pressure gauge connection, male/female thread

OVERALL DIMENSIONS



369M 1/2"x1/2", gauge connection 1/4"

	1/2"	1/2"	1/2"	1/2"	1/2"	1/2"
A	74,5	74,5	74,5	74,5	74,5	74,5
B	26	26	26	26	26	26
E	31,5	31,5	31,5	31,5	31,5	31,5
F	46	46	46	46	46	46
G	19,5	19,5	19,5	19,5	19,5	19,5