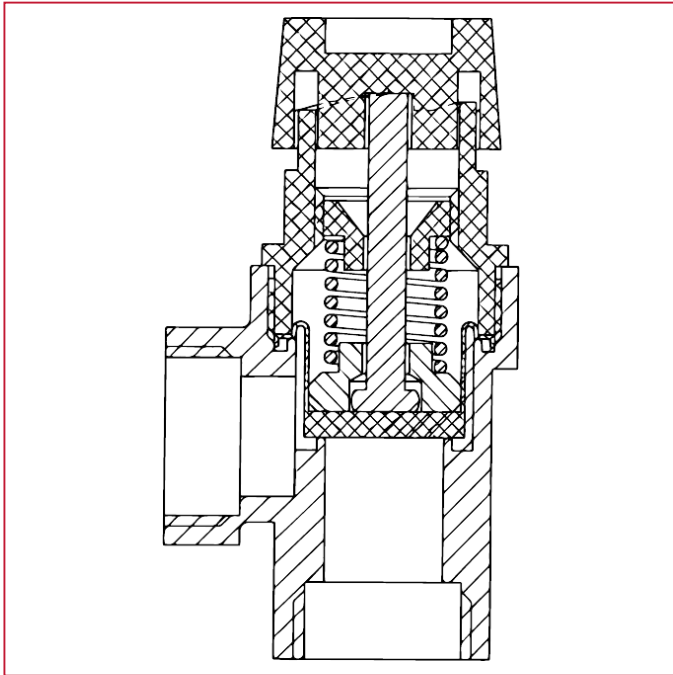




# DIAPHRAGM SAFETY RELIEF VALVES

## 368 Diaphragm safety relief valve, female/female thread

### MATERIALS



POS.	DESCRIPTION	N.	MATERIAL
1	Body	-	Brass
2	Stem	-	HAIPLEN H50
3	Spring	-	Stainless steel
4	Plate	-	HAIPLEN H50
5	Handle	-	HAIPLEN H50
6	Threaded washer	-	Acetal resin
7	Spring stop	-	Nylon
8	Washer	-	Fiber
9	Cylinder	-	EPDM
10	Plate	-	Brass