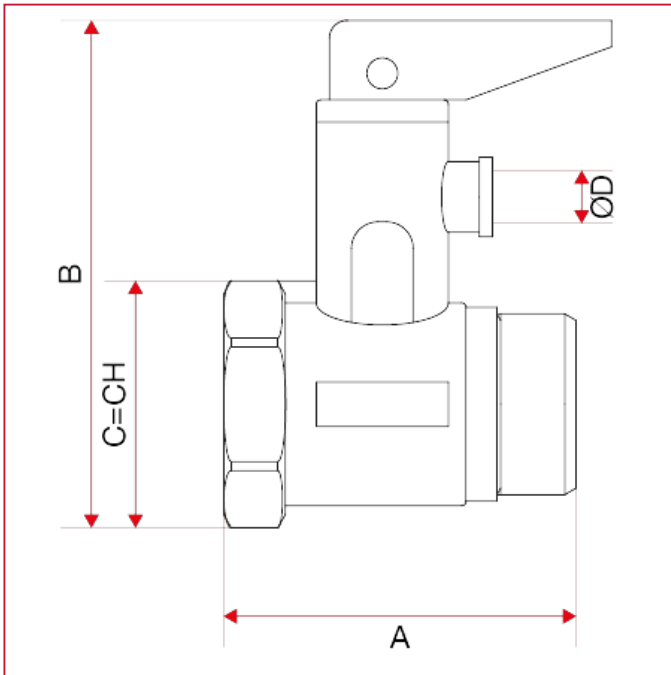




AIR VENT VALVES AND SAFETY VALVES

367 Safety relief valve for boilers with lever handle

OVERALL DIMENSIONS



	1/2"
A	40
B	60
C	25
D	6
Kg/cm ² bar	10
LBS - psi	145