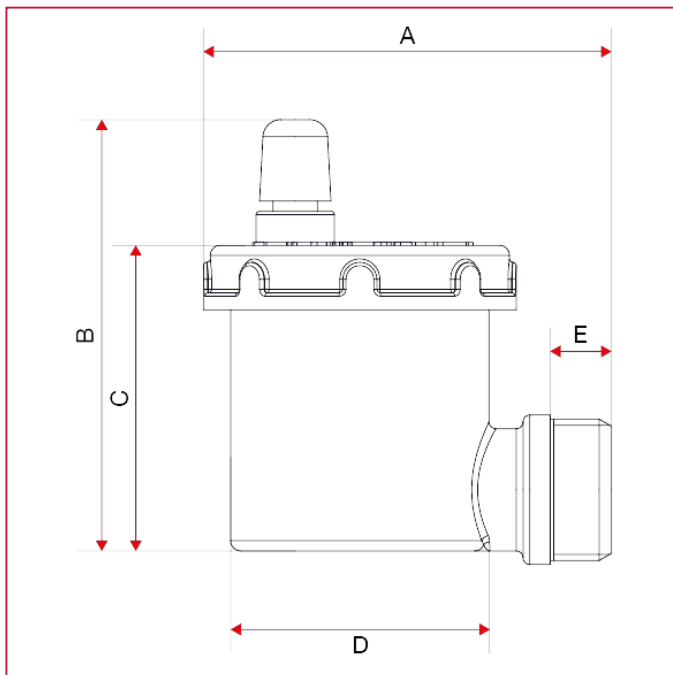




AIR VENT VALVES AND SAFETY VALVES

364 Automatic air-vent valve, side inlet

OVERALL DIMENSIONS



	3/8"	1/2"
A	60	60
B	63,5	63,5
C	45	45
D	38	38
E	9	9
Kg/cm ² bar	10	10
LBS - psi	145	145