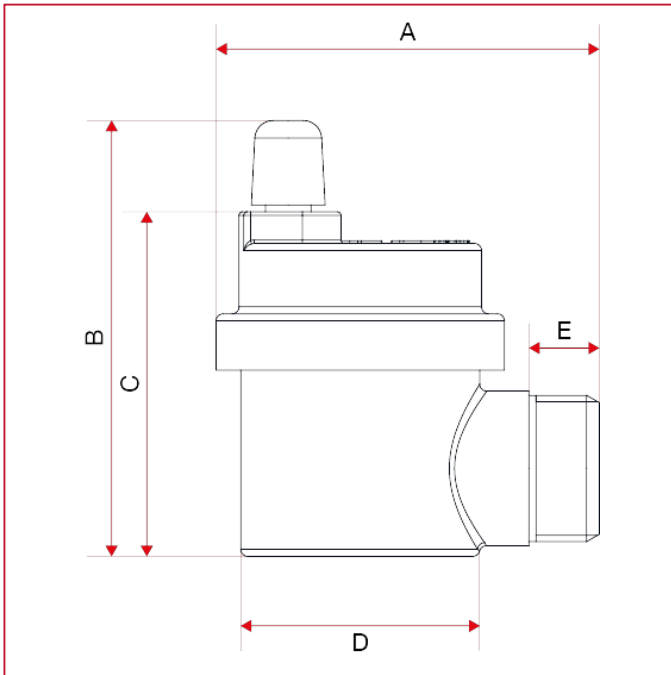




AIR VENT VALVES AND SAFETY VALVES

364R Automatic air-vent valve, side inlet, compact

OVERALL DIMENSIONS



	3/8"	1/2"
A	54,5	54,5
B	61	62
C	48	49
D	34	34
E	9	10
Kg/cm ² bar	10	10
LBS - psi	145	145