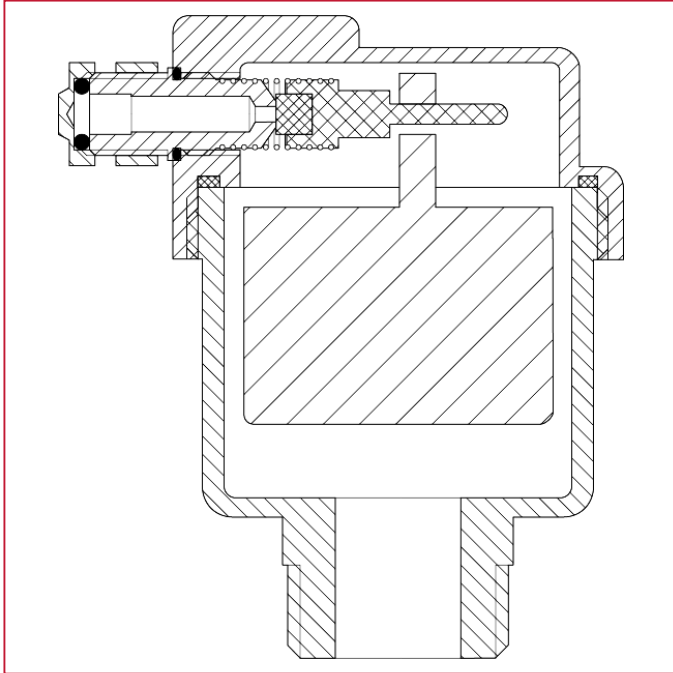




AIR VENT VALVES AND SAFETY VALVES

363 Automatic air-vent valve, side outlet

MATERIALS



POS.	DESCRIPTION	N.	MATERIAL
1	Body	-	Brass UNI EN 1982-2000
2	Cap	-	Brass CW617N
3	Float	-	Polyethylene
4	Cap	-	Brass
5	Washer	-	NBR
6	Mechanism	-	Brass
7	Spring	-	Stainless steel
8	Small piston	-	Silicone
9	Lever	-	Acetal resin