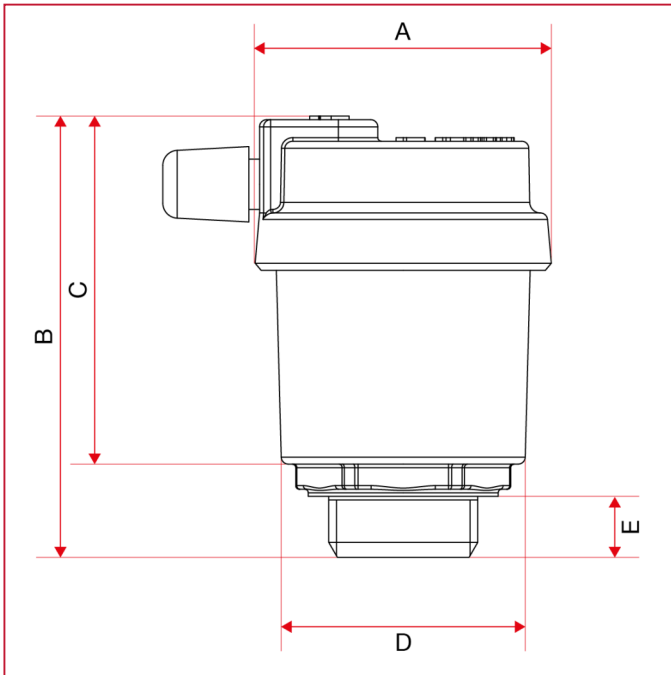




# AIR VENT VALVES AND SAFETY VALVES

## 363 Automatic air-vent valve, side outlet

### OVERALL DIMENSIONS



	3/8"	1/2"
A	41,5	41,5
B	61	61
C	45	45
D	34	34
E	8	8,5
Kg/cm <sup>2</sup> bar	10	10
LBS - psi	145	145