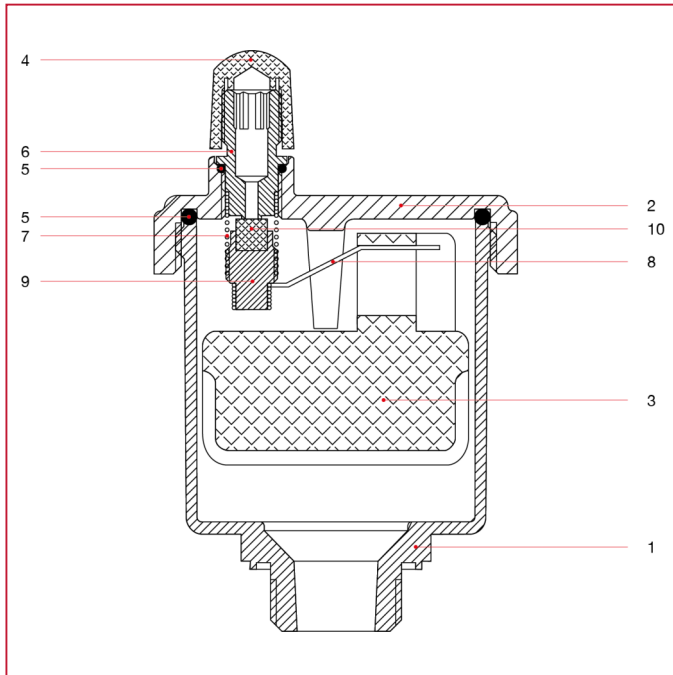




ACCESSORIES FOR SOLAR HEATING SYSTEMS

362S Automatic air vent valve for solar heating systems

MATERIALS



POS.	DESCRIPTION	N.	MATERIAL
1	Body	-	Brass ALLOY UNI EN 1982:2008 CB754S
2	Cap	-	Brass ALLOY UNI EN 1982:2008 CB754S
3	Float	-	Polypropylene
4	Cap	-	Brass CW614N
5	O-ring	-	Red silicone
6	Mechanism	-	Brass CW614N
7	Spring	-	Stainless steel AISI 302
8	Detector	-	Stainless steel AISI 302
9	Cap	-	PPSR4
10	Rubber seal	-	Red silicone 50