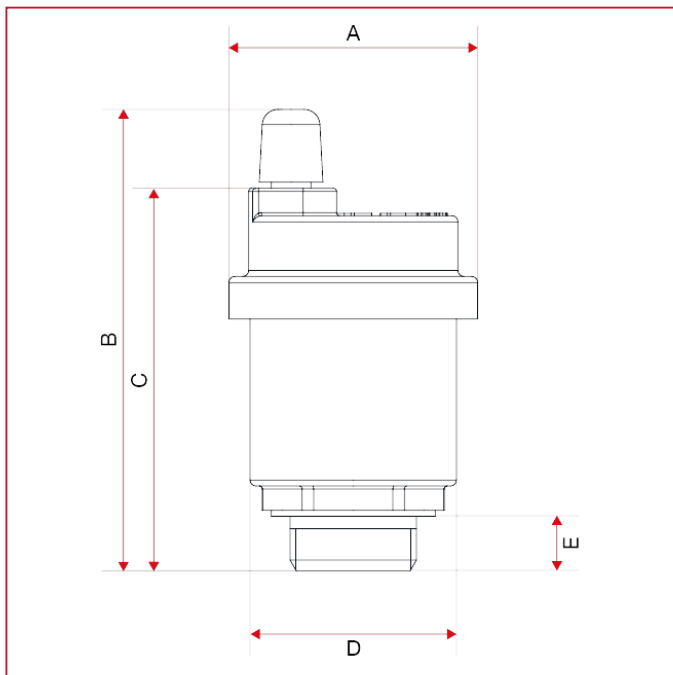




AIR VENT VALVES AND SAFETY VALVES

362R Automatic air-vent valve, compact

OVERALL DIMENSIONS



	3/8"	1/2"
A	41	41
B	75	76
C	62	63
D	34	34
E	8	9
Kg/cm ² bar	10	10
LBS - psi	145	145