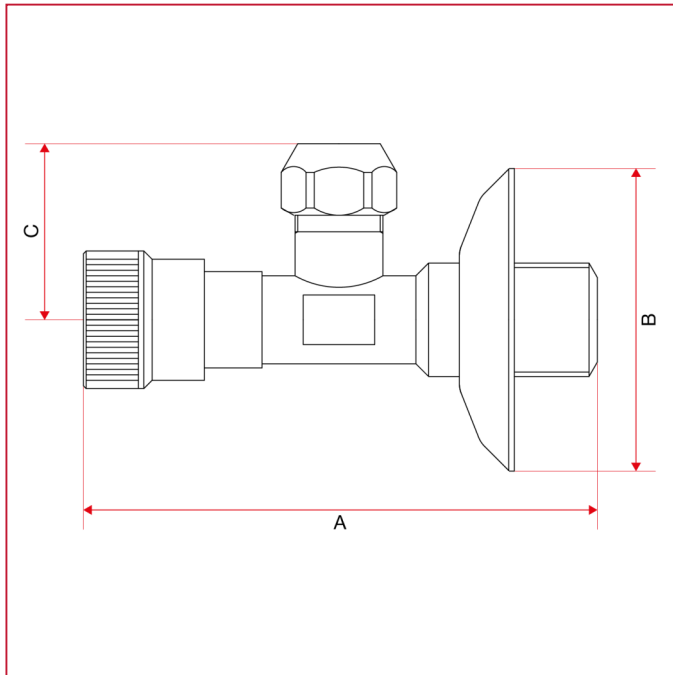




BUILD-IN VALVES AND SUPPLY STOPS

348 Supply stop with nut and washer

OVERALL DIMENSIONS



	1/2"
A	90
B	55
C	31
Kg/cm ² bar	8
LBS - psi	116