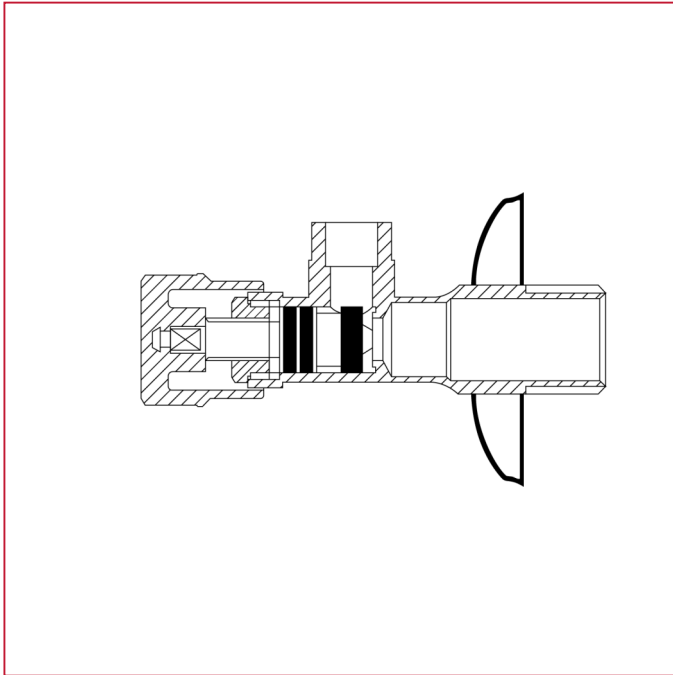




## BUILD-IN VALVES AND SUPPLY STOPS

### 348SD Supply stop without nut

#### MATERIALS



POS.	DESCRIPTION	N.	MATERIAL
1	Body	-	Chrome-plated brass CW617N
2	Washers	-	NBR
3	Ring	-	P.T.F.E.
4	Handle	-	Zama
5	Cover plate	-	Stainless steel AISI 430