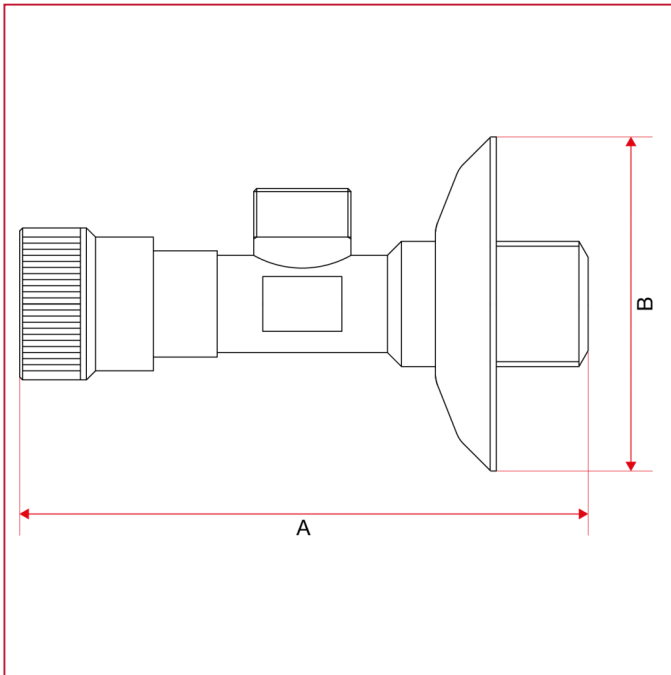




BUILD-IN VALVES AND SUPPLY STOPS

348SD Supply stop without nut

OVERALL DIMENSIONS



	1/2"
A	90
B	55
LBS - psi	116