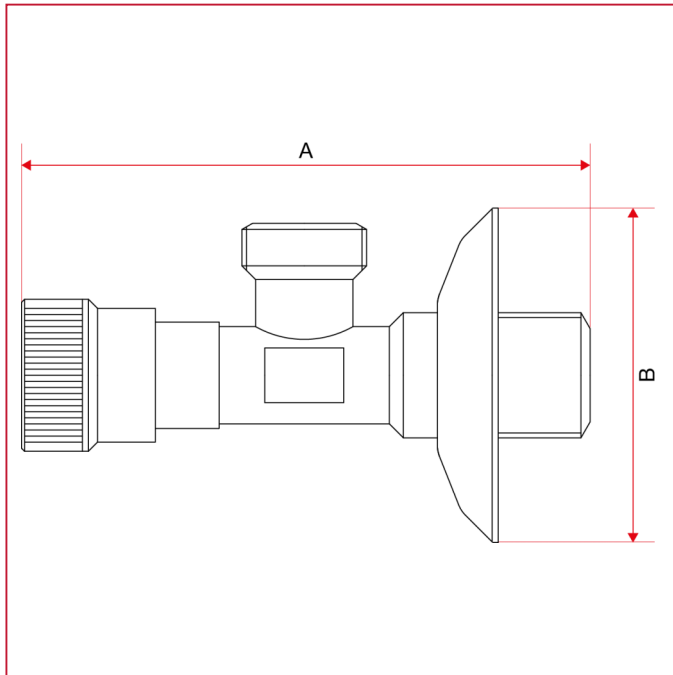




## BUILD-IN VALVES AND SUPPLY STOPS

### 346 Supply stop

#### OVERALL DIMENSIONS



	1/2"
A	90
B	55
Kg/cm <sup>2</sup> bar	8
LBS - psi	116