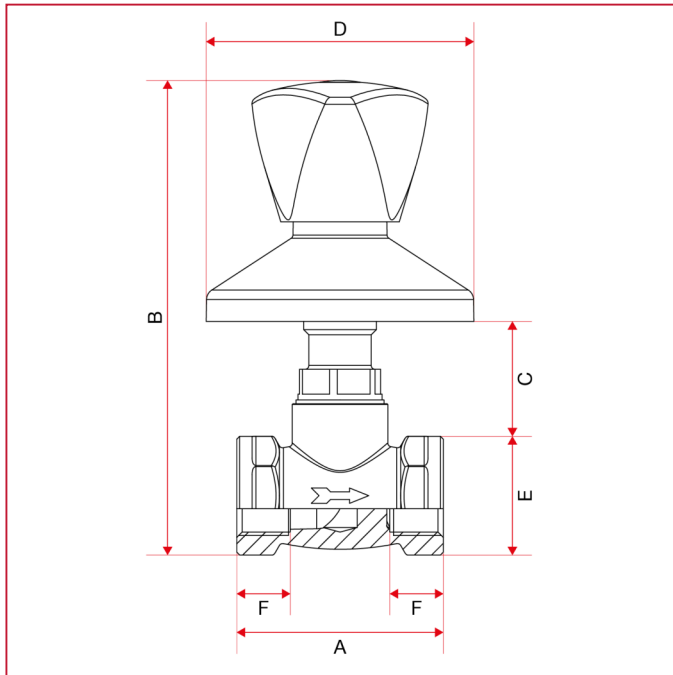




BUILD-IN VALVES AND SUPPLY STOPS

345 Build-in valve with handle

OVERALL DIMENSIONS



	1/2"	3/4"
DN	15	20
A	54	59,5
B	124	127,5
C	30	30
D	70	70
E	31	35,5
F	14	14
Kg/cm ² bar	20	15
LBS - psi	290	217,5