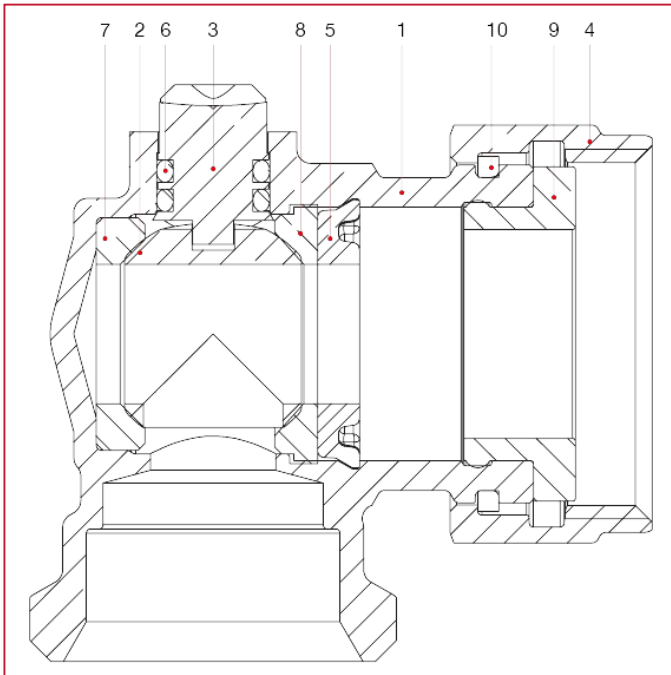




TWO-PIPE VALVES FOR PANEL RADIATORS

315 Angle two-pipe valve

MATERIALS



POS.	DESCRIPTION	N.	MATERIAL
1	Angle H body	1	Nickel-plated brass CW617N
2	Ball	2	Chrome-plated brass CW617N
3	Stem	2	Brass CW617N
4	Nut	2	Nickel-plated brass CW617N
5	Elastic ring	2	POM
6	O-ring	4	EPDM
7	Seat	2	EPDM
8	Seat for ring	2	EPDM
9	Washer	2	EPDM
10	Stop ring	2	Stainless steel AISI 302