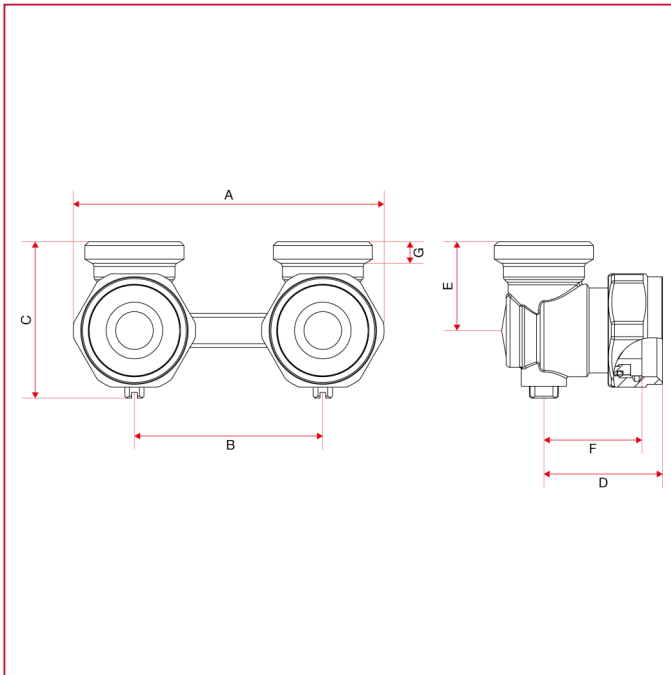




TWO-PIPE VALVES FOR PANEL RADIATORS

315 Angle two-pipe valve

OVERALL DIMENSIONS



	3/4"
DN	20
A	82,5
B	50
C	41,4
D	31,5
E	23,5
F	26
G	6
Kg/cm ² bar	10
LBS - psi	145