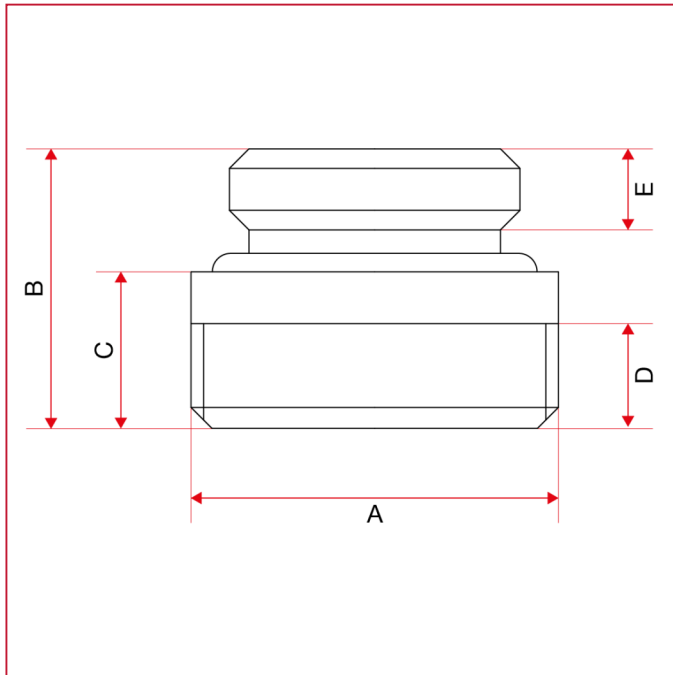




TWO-PIPE VALVES FOR PANEL RADIATORS

306 Fittings for panel radiators, with thread 1/2"F

OVERALL DIMENSIONS



	1/2" - 3/4"
A	26,3
B	20
C	11,2
D	7,5
E	5,8