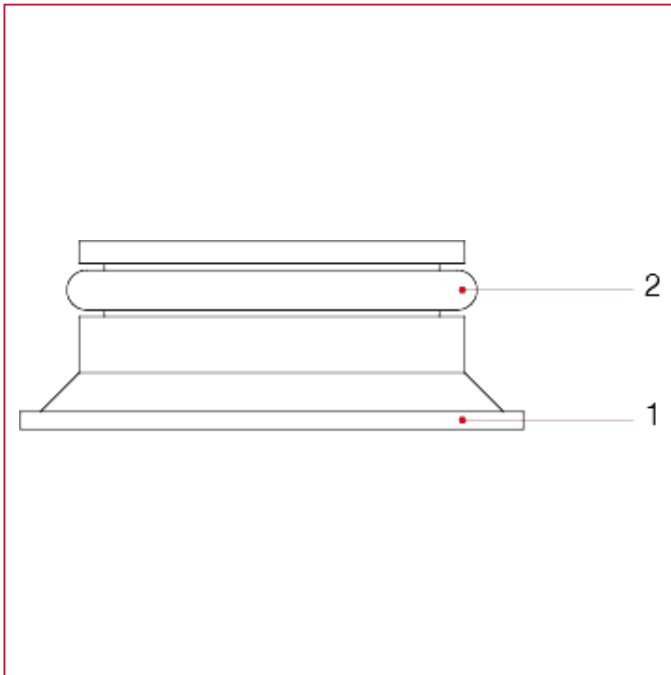




TWO-PIPE VALVES FOR PANEL RADIATORS

306K Adapter for panel radiators, with thread 3/4" M

MATERIALS



POS.	DESCRIPTION	N.	MATERIAL
1	Liner	1	Nylon
2	O-ring	1	EPDM