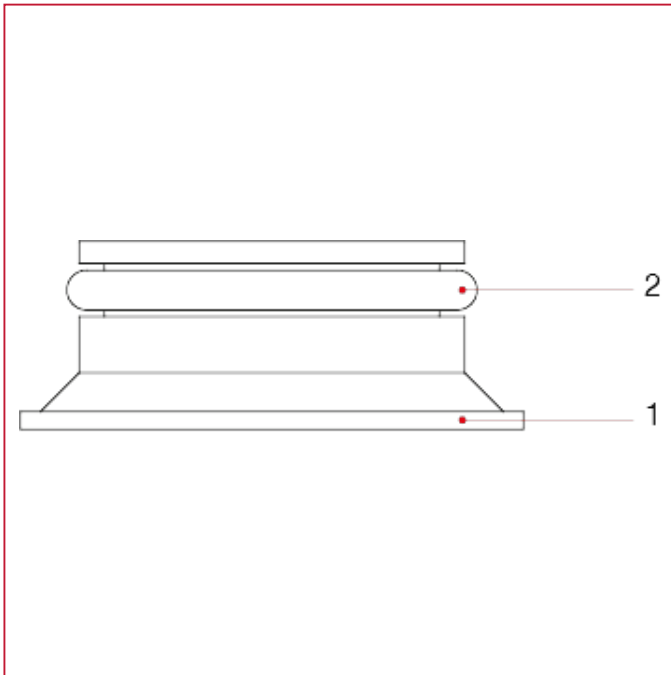




## TWO-PIPE VALVES FOR PANEL RADIATORS

**306K** Adapter for panel radiators, with thread 3/4" M

### MATERIALS



POS.	DESCRIPTION	N.	MATERIAL
1	Liner	1	Nylon
2	O-ring	1	EPDM