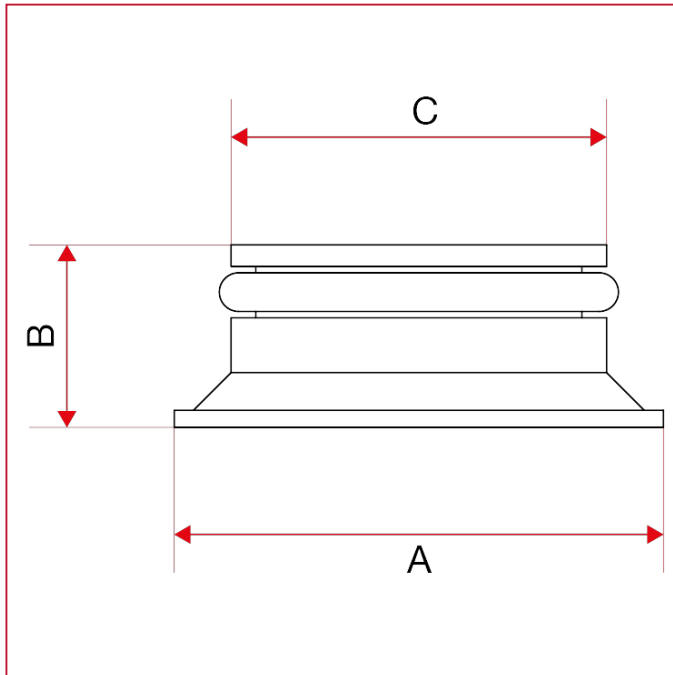




## TWO-PIPE VALVES FOR PANEL RADIATORS

**306K** Adapter for panel radiators, with thread 3/4" M

### OVERALL DIMENSIONS



DN	20
A	23
B	8,5
C	17,5