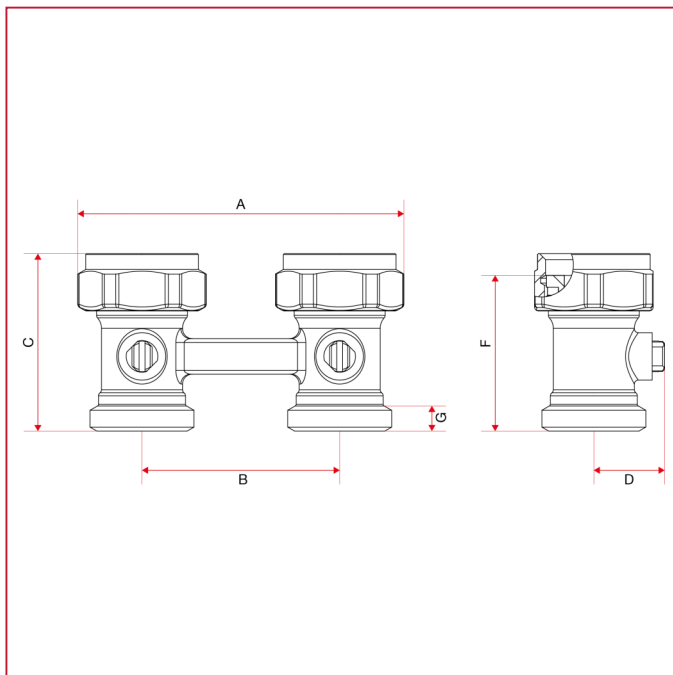




TWO-PIPE VALVES FOR PANEL RADIATORS

305 Straight two-pipe valve

OVERALL DIMENSIONS



	3/4"
DN	20
A	82,5
B	50
C	44,9
D	17,9
F	39,4
G	6,5
Kg/cm ² bar	10
LBS - psi	145