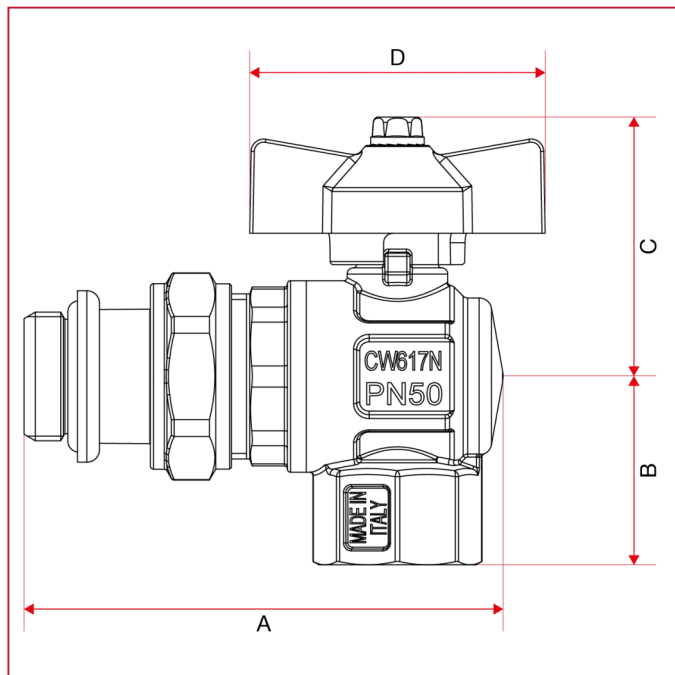




FULL FLOW BALL VALVES: IDEAL

298S Ideal angle ball valve with o-ring, full flow for manifolds

OVERALL DIMENSIONS



	1/2"	3/4"	1"
DN	15	20	25
A	76,2	89,5	105,5
B	30	33,5	39,75
C	41	47	51
D	47	62	62
Kg/cm ² bar	50	40	40
LBS - psi	725	580	580