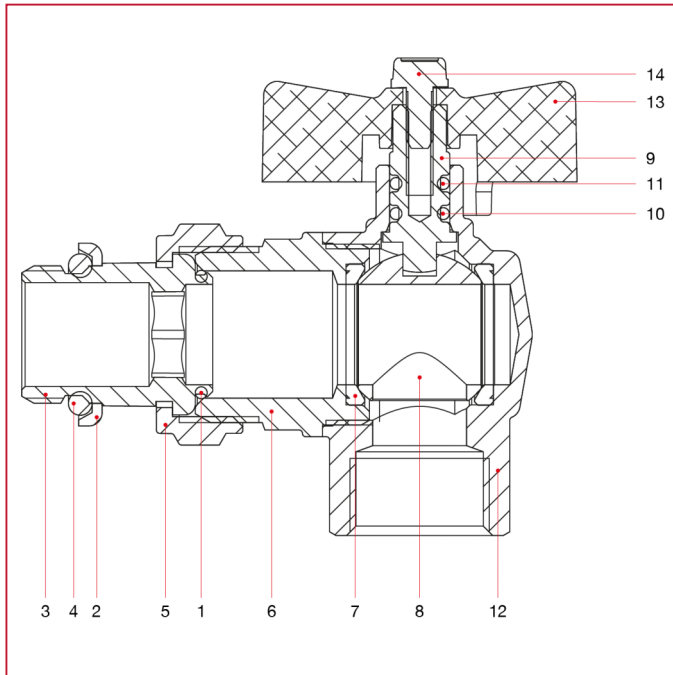




ACCESSORIES FOR MANIFOLDS

298SK Angle ball valves kit

MATERIALS



POS.	DESCRIPTION	N.	MATERIAL
1	O-ring	1	NBR
2	Ring	1	Steel
3	Union	1	Nickel-plated brass CW617N
4	O-ring	1	NBR
5	Nut	1	Nickel-plated brass CW617N
6	End adapter	1	Nickel-plated brass CW617N
7	Seat	2	P.T.F.E.
8	Ball	1	Chrome-plated brass CW617N
9	Stem	1	Brass CW614N
10	O-ring	1	NBR
11	O-ring	1	Viton®
12	Body	1	Nickel-plated brass CW617N
13	T handle	1	Varnished aluminium
14	Screw	1	Zinc-plated steel C4C