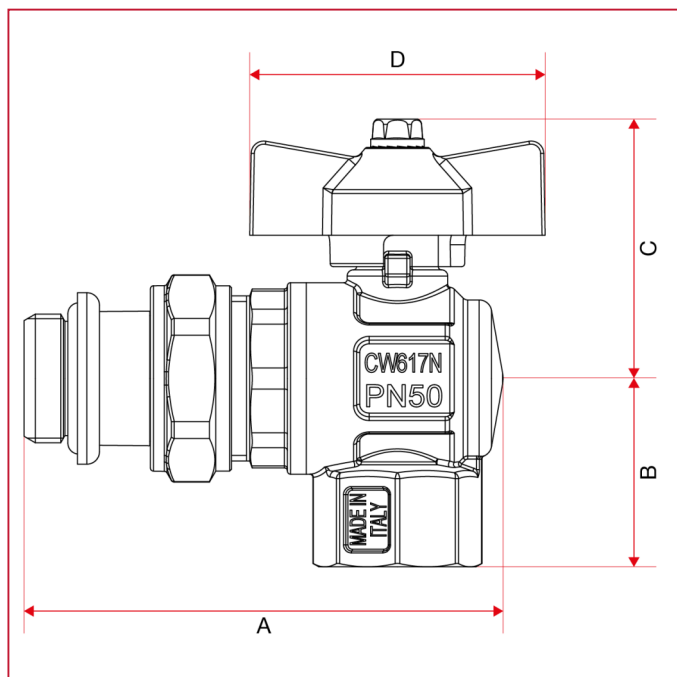




ACCESSORIES FOR MANIFOLDS

298SK Angle ball valves kit

OVERALL DIMENSIONS



	1"
DN	25
A	105,5
B	39,75
C	51
D	62
Kg/cm ² bar	40
LBS - psi	580