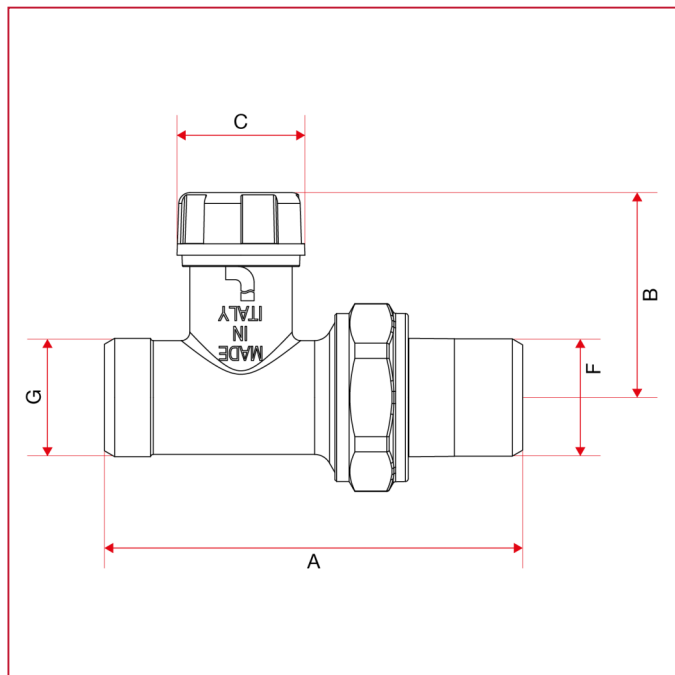




# MANUAL VALVES AND LOCKSHIELDS

## 297 Straight lockshield

### OVERALL DIMENSIONS



	1/2"
DN	15
A	73,5
B	36
C	22,5
F	1/2"
G	1/2"
Kg/cm <sup>2</sup> bar	10
LBS - psi	145