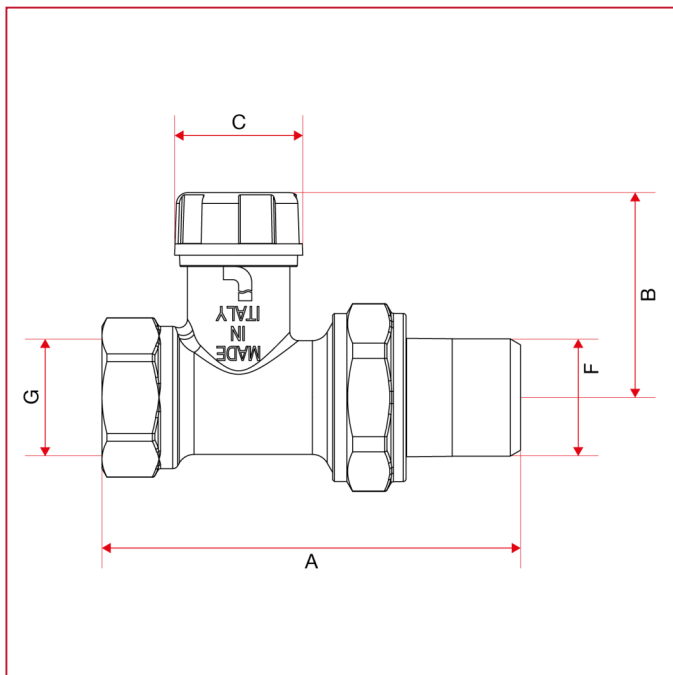




手动阀和锁闭阀

296 直型锁闭阀

总尺寸



| | 1/2" | 3/4" |
|------------------------|------|------|
| DN | 15 | 20 |
| A | 73,5 | 77,5 |
| B | 36 | 39 |
| C | 22,5 | 22,5 |
| F | 1/2" | 3/4" |
| G | 1/2" | 3/4" |
| Kg/cm ² bar | 10 | 10 |
| LBS - psi | 145 | 145 |