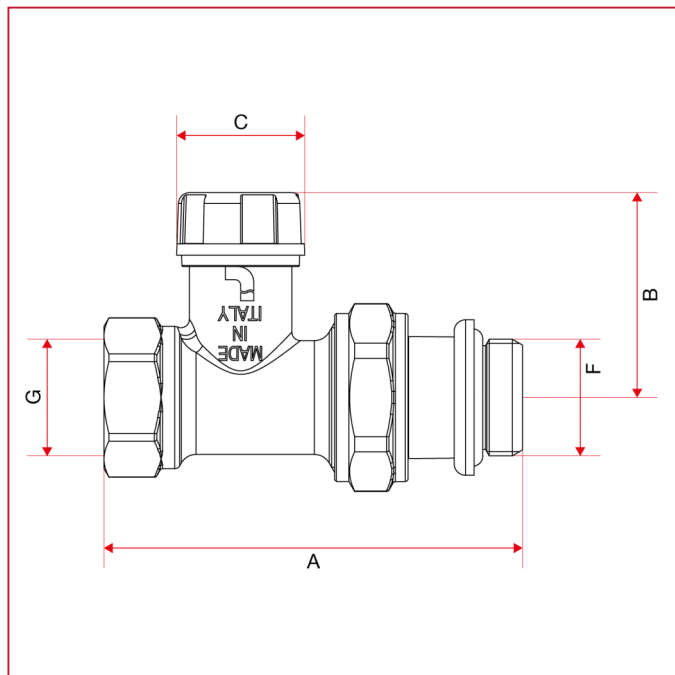




CONVERTIBLE VALVES AND LOCKSHIELDS

296S Straight lockshield, female thread

OVERALL DIMENSIONS



	3/8"	1/2"	3/4"
DN	10	15	20
A	72	73,5	77,5
B	36	36	39
C	22,5	22,5	25
F	3/8"	1/2"	3/4"
G	3/8"	1/2"	3/4"
Kg/cm ² bar	10	10	10
LBS - psi	145	145	145