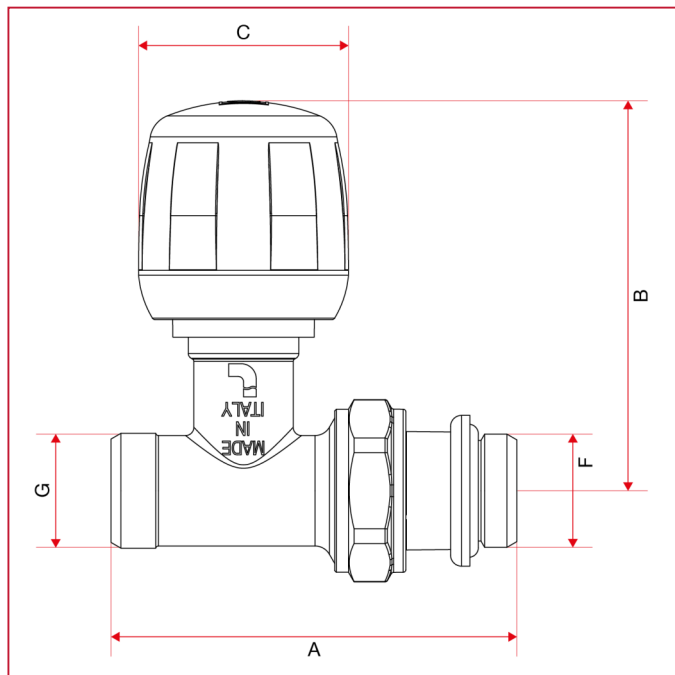




MANUAL VALVES AND LOCKSHIELDS

295S Straight manual valve

OVERALL DIMENSIONS



	1/2"
DN	15
A	73,5
B	70,6
C	38
F	1/2"
G	1/2"
Kg/cm ² bar	10
LBS - psi	145