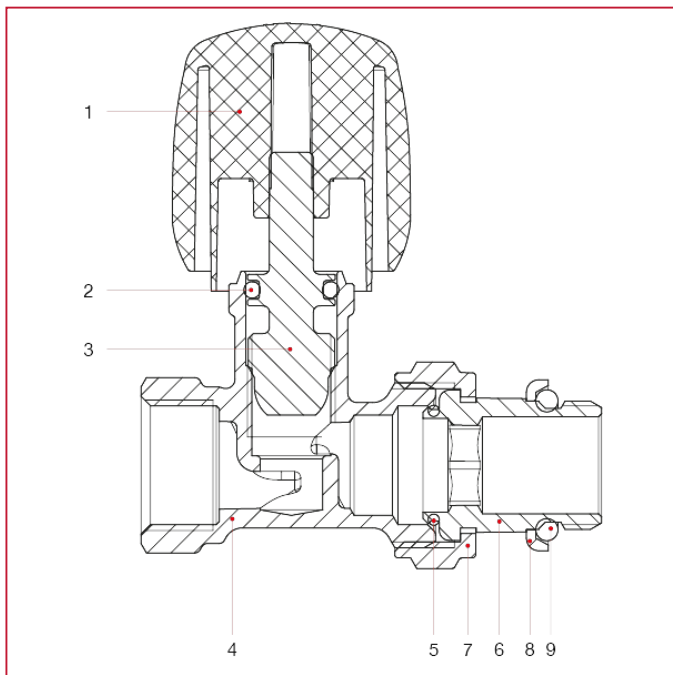




MANUAL VALVES AND LOCKSHIELDS

294S Straight manual valve

MATERIALS



POS.	DESCRIPTION	N.	MATERIAL
1	Handle	1	ABS
2	O-ring	1	EPDM
3	Bonnet	1	Brass CW614N
4	Body	1	Nickel-plated brass CW617N
5	Washer	1	NBR
6	Union	1	Nickel-plated brass CW617N
7	Nut	1	Nickel-plated brass CW617N
8	Ring	1	Steel Fe
9	Washer	1	NBR